

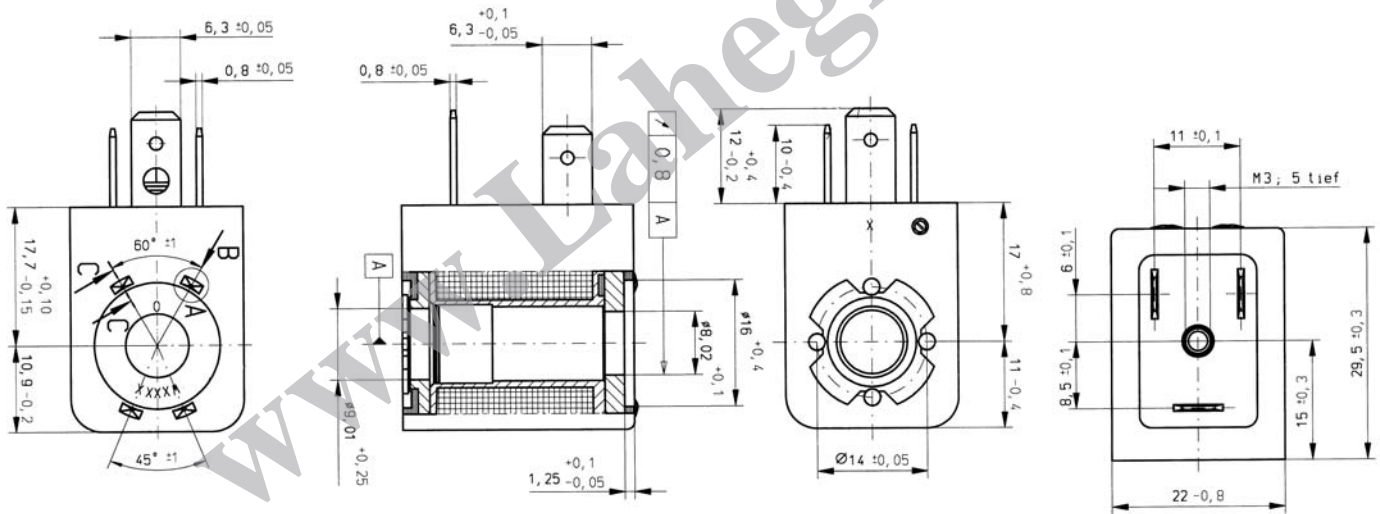
COIL CHARACTERISTICS

Coils in the catalogue pages are identified by their electrical characteristics such as ;
 Continuous Duty : ED %100
 Coil insulation class : H (180°C)
 Coil impregnation : Polyester Fiber Glass
 Coil Encapsulation Material : Fiber Glass Reinforced
 Minimum and maximum ambient temperature : from -10°C ; +60°C
 Protection degree : Generally IP 65 (EN 60529) with coil duty fitted with the plug connector
 Power : for DC 5.5 W, for AC 6 VA 8.5 VA
 Electric plug connection : DIN 46340 3-poles connectors (DIN 43650)
 Electrical safety : IEC 335
 Insulation class of insulating materials according to DIN VDE 0580
 Deg. of protection with mounted plug-in connector according to IEC 529



STANDARD VOLTAGES

The standard voltages indicated in the catalogue are as follows ;
 Standard Voltages : For AC 12V , 24V , 48V , 110V , 230V
 For DC 12V , 24V , 48V , 110 V
 Other voltage on request
 Voltages Tolerance : For AC %-15 ; %+10 , For DC %-5 ; %+10
 Frequency : 50 Hz , other frequencies on request (60 Hz)
 On request connector with LED



Coil Type / Order no	Coil Voltage
C20	Volt
C20.01	230 V AC
C20.02	110 V AC
C20.03	24 V AC
C20.04	12 V AC
C20.06	24 V DC
C20.07	12 V DC

Useful Informations

1 bar:14,5 PSI:10 mH₂O:10 N/cm²:1 kg/cm²:100000 Pa, 1 PSI:69 mbar,1 m³/h:4,405 GPM:16,7 L/d 1 Gallon / minute:0,227 m³/h, 0°C:89,6 F
 Sealings:NBR:Nitrile-Butylene Elastomer, FPM (VITON):Fluoro-Carbon Elastomer, EPDM:Ethylene-Propylene Elastomer